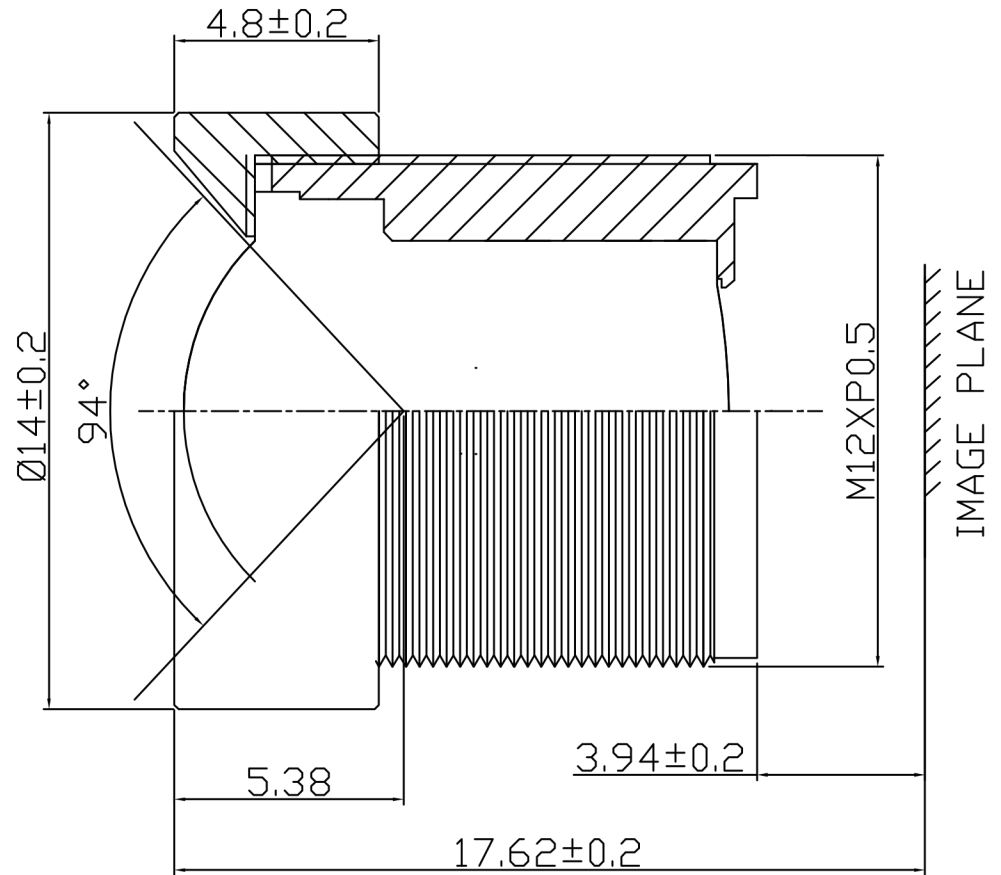


SPECIFICATION

- 1 Sensing Area:1/2.7"
- 2 Focal Length:3.25mm
- 3 Back Focal Length:4.38mm
- 4 F/NO:2.4
- 5 Iris:Fixed
- 6 Lens Construction:3G2P
- 7 Field Angle (DxHxV):
91.7°x83.5°x52.8°
- 8 Distortion:<0.6%
- 9 Focal Extent:200cm~∞
- 10 Feature:for 9.0 Megapixel Lens



TOLERANCE		UNIT mm	MATERIAL	SCALE 5:1	SHEET 1 OF 1	QUANTITY	TYPE SA-032524TMB		
DIMENSION	TOLERANCE	福州思奥光电科技有限公司			BORDER A4	NAME	DATE	PART NO.	REV.NO
X.XX	±0.05	Fuzhou Siao Optoelectronic Technology Co., Ltd.			DRAWING BY			SA-032524TMB	A
X.X	±0.10	TITLE			CHECKED BY			DATA BASE	
X.	±0.30				MegaPixel Lens			APPROVED BY	
DO NOT SCALE DRAWING									