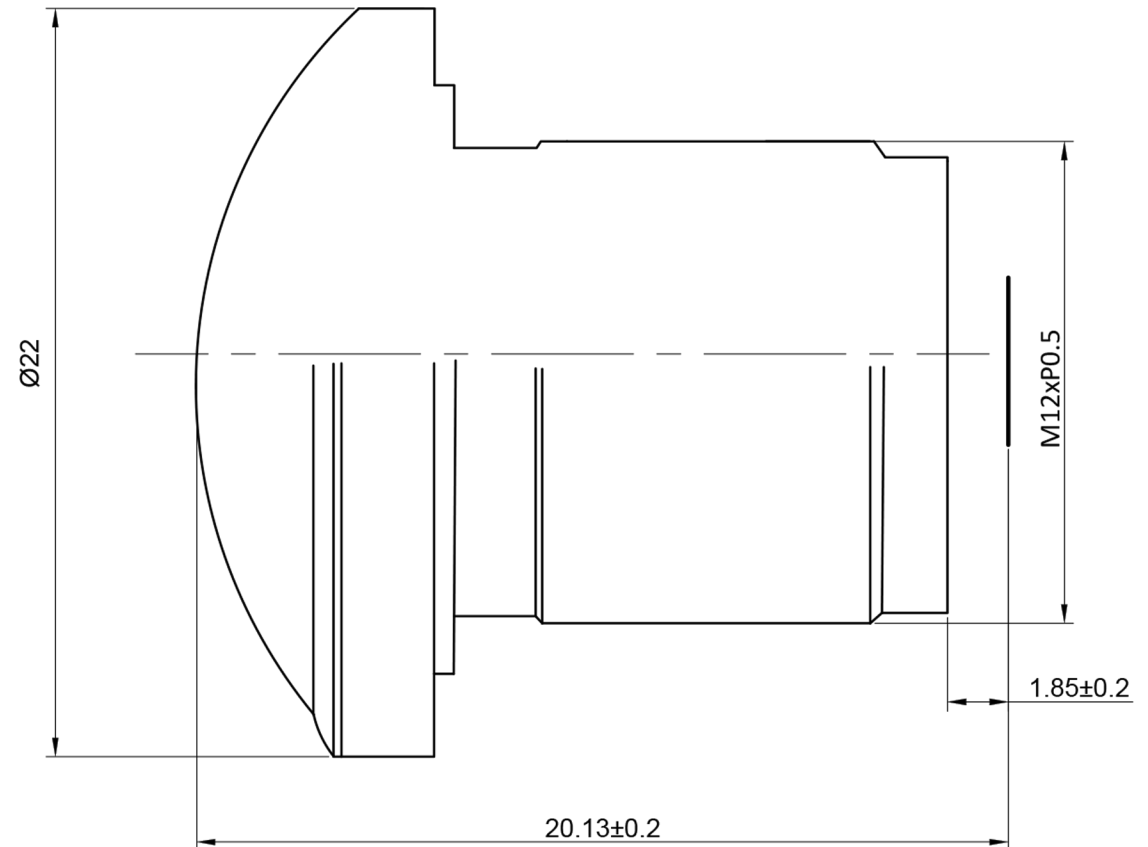


SPECIFICATION

- 1 Sensing Area:1/2.3"
- 2 Focal Length:1.31mm
- 3 Mechanical BFL:1.85mm
- 4 F/NO:2.0
- 5 Iris:Fixed
- 6 Lens Construction:8Glasses
- 7 Field Angle (DxHxV):
240°x240°x240°
- 8 F-Theta Distortion:<-17.2%
- 9 Focal Extent:100mm~∞
- 10 Feature:for 12.0 Megapixel Lens



TOLERANCE		UNIT mm	MATERIAL	SCALE 5:1	SHEET 1 OF 1	QUANTITY	TYPE SA-013120FEB	
DIMENSION	TOLERANCE	福州思奥光电科技有限公司			BORDER A4	NAME	DATE	PART NO. SA-013120FEB
X.XX	±0.05	Fuzhou Siao Optoelectronic Technology Co., Ltd.			DRAWING BY			REV.NO A
X.X	±0.10	TITLE MegaPixel Lens			CHECKED BY			DATA BASE
X.	±0.30				APPROVED BY			
DO NOT SCALE DRAWING								CONFIDENTIAL